

INSTALLATION SPECIFICATION SHEET

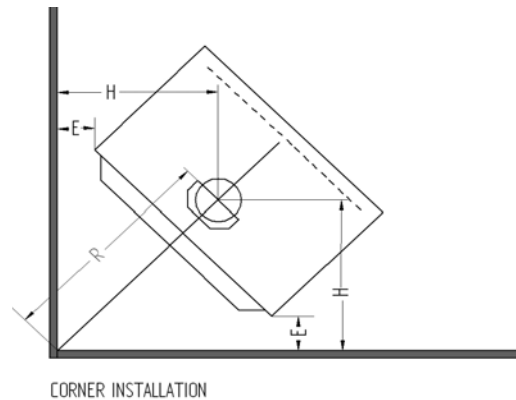
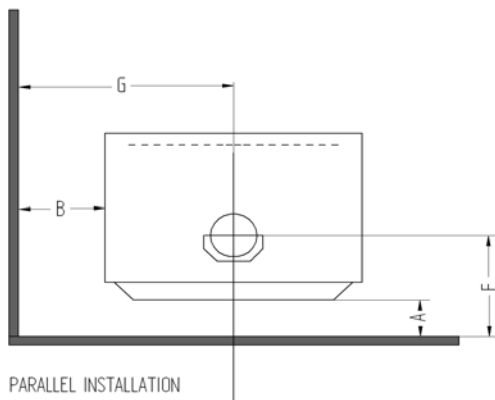
These instructions must be used in conjunction with the 'General Installation Instructions' for Masport wood fires.

CLEARANCE REQUIREMENTS

This fire has been tested and complies to the Australian/New Zealand Standard AS/NZS 2918:2001 and all installations must be in accordance with the minimum clearances to combustibles indicated in these instructions.

The minimum clearances to combustibles may be reduced if the combustible walls are shielded with an approved non-combustible material. Details of suitable materials and appropriate clearance reduction factors are present in Section 3 of AS/NZS 2918:2001.

POSITIONING YOUR FREE-STANDING WOODFIRE



NEW ZEALAND

MINIMUM DISTANCES TO HEAT SENSITIVE WALLS (mm)

MODEL	FLUE HEAT SHIELD	A	B	E	F	G	H	R§
NOT AVAILABLE	LOGAIRE DOUBLE SKIN S/S POLISHED							

AUSTRALIA

MINIMUM DISTANCES TO HEAT SENSITIVE WALLS (mm)

MODEL	FLUE HEAT SHIELD	A	B	E	F	G	H	R§
F7000	FLOMET UNIVERSAL FLUE SYSTEM	225	400	125	445	743	442	625
	AIR-GROUP SPECIAL INSULATED FLUE KIT*	150	425	250	370	768	567	802

§ Valid only when the room walls are at 90° to each other.

‡ Note: Clearances are for fire hazard only. For durability of finishes or surfaces you should contact the relevant manufacturer for their specification. Masport accepts no responsibility for the deterioration of surfaces or finishes.

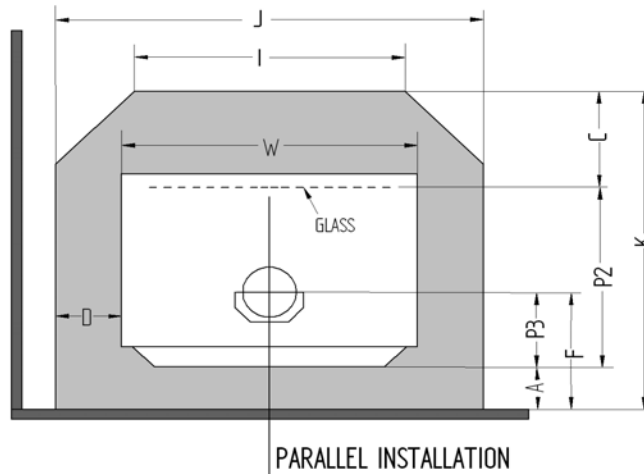
* Air-Group Special Insulated Flue Kit is same as AHD Special Insulated Flue Kit

See "INSTALLING THE FLUE" for recommended Australian flue systems.

PRT. NO.	593473
DATE:	20.01.2012

FLOOR PROTECTOR (Hearth) REQUIREMENTS PARALLEL INSTALLATION

MINIMUM FLOOR PROTECTOR DIMENSIONS IN mm



DIMENSIONS IN THE TABLE ARE VALID ONLY WHEN THE FIRE IS EXACTLEY AT ITS MINIMUM ALLOWABLE WALL CLEARANCE.

NEW ZEALAND

MODEL	Flue Shield	Floor Protector height	A#	C#	D	F	I	J	K#	P2	P3	W	Floor Protector Type Ø

AUSTRALIA - ALL WITH FLUE HEATSHIELD

MODEL	Flue Shield	Floor Protector height	A#	C#	D	F	I	J	K#	P2	P3	W	Floor Protector Type Ø
F7000 HW	FUF	ANY	225	300	139	445	663	963	1089	564	220	685	AFP
	AGA	ANY	150	300	139	370	663	963	1014	564	220	685	AFP

FUF: FLOMET UNIVERSAL FLUE SYSTEM

AGA = AIR GROUP / AHD SPECIAL INSULATED FLUE KIT WITH 900mm S/S REFLECTOR SHIELD

AFP = ASH FLOOR PROTECTOR

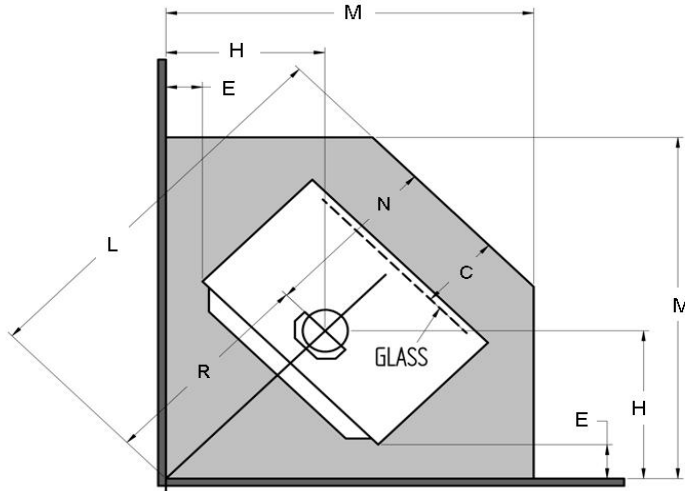
Ø for minimum constructional requirements see general installation instructions.

Valid only when the fire is exactly at its minimum allowable wall clearance.

NOTE: Where a fan is being fitted, you may prefer to increase the 'A' dimension to 100 mm to provide easier access for servicing. If so, the amount you add to 'A' to bring it to 100 mm must also be added to the 'C' and 'S' dimensions.

FLOOR PROTECTORS (Hearth) REQUIREMENTS CORNER INSTALLATION

MINIMUM FLOOR PROTECTOR DIMENSIONS IN mm



DIMENSIONS IN THE TABLE ARE VALID ONLY WHEN THE FIRE IS EXACTLEY AT ITS MINIMUM ALLOWABLE WALL CLEARANCE.

NEW ZEALAND

MODEL	Flue Shield	Floor Protector Distance above Floor	C	E	H#	L#	M#	N	R#	FLOOR PROTECTOR TYPE

AUSTRALIA

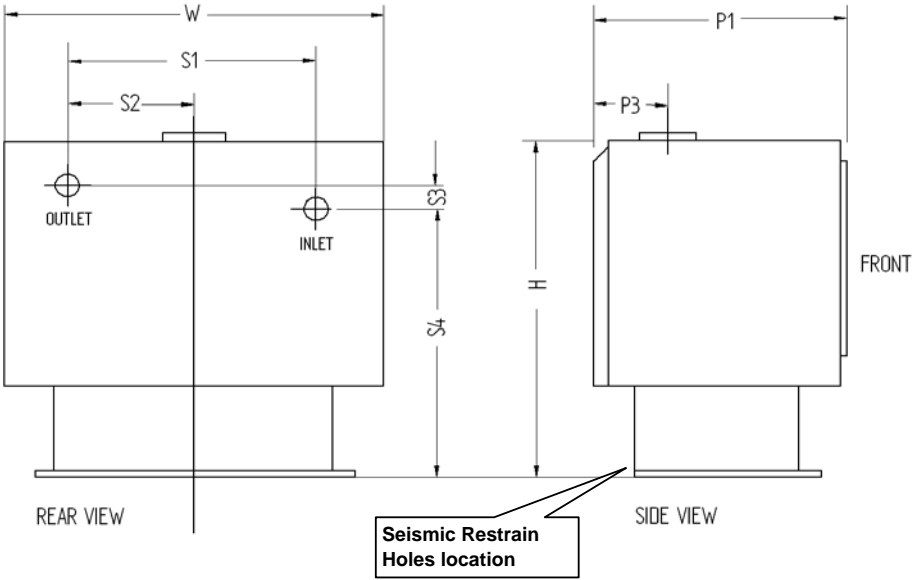
MODEL	Flue Shield	Floor Protector Distance above Floor	C	E	H#	L#	M#	N	R#	FLOOR PROTECTOR TYPE
F7000	FUF		300	125	442	1269	1132	644	625	AFP
	AGA		300	250	567	1446	1257	644	802	AFP

FUF = FLOWMET UNIVERSAL FLUE SYSTEM

AGA = AIR GROUP or AHD SPECIAL INSULATED FLUE KIT WITH 900mm S/S REFLECTOR SHIELD

AFP = ASH FLOOR PROTECTOR

FREE STANDING FIRE DIMENSIONS

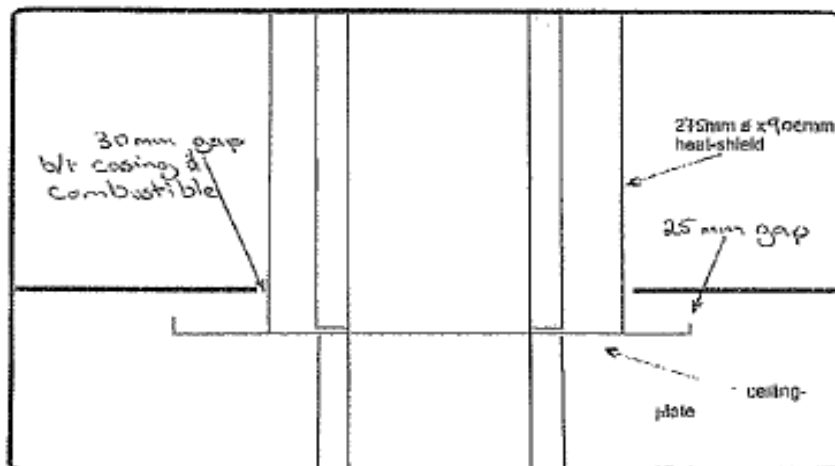
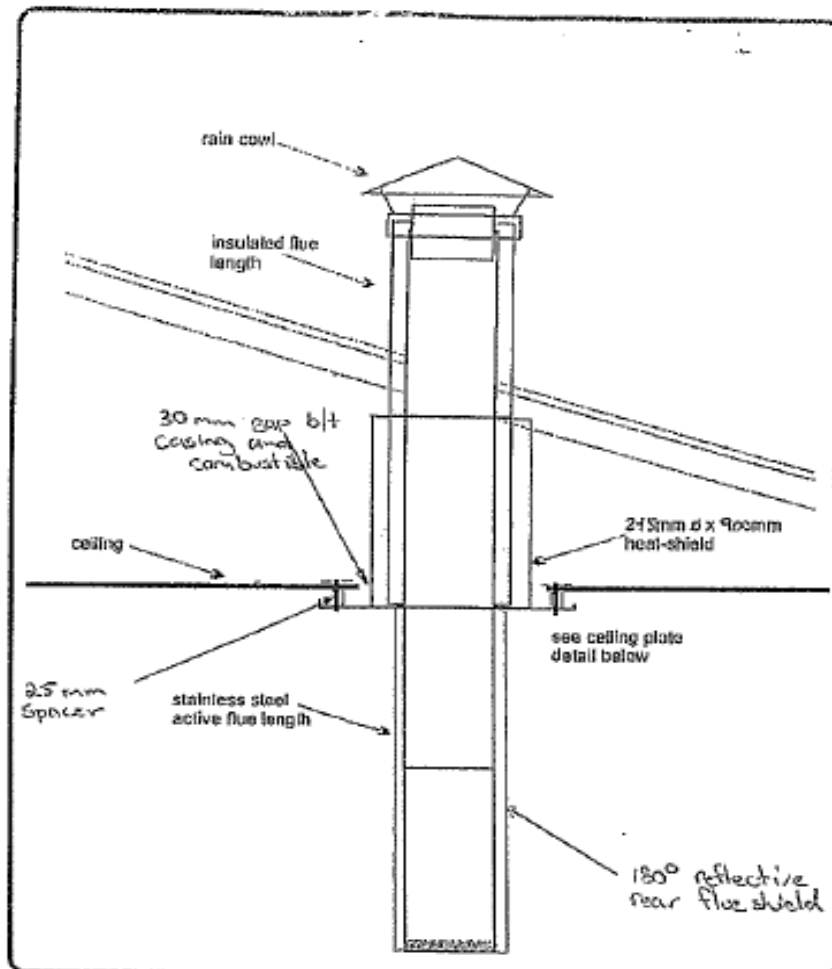


MODEL		P1	P3	H	W	S1	S2	S3	S4
F7000HW		583	220	835	685	340	170	20	613

Seismic Restrain - In New Zealand and some part of Australia, it is required that the wood fire and floor protector are secured to prevent shifting in the event of an earthquake. This is best done by fastening the wood fire right through the protector to the floor, using two screws not less than 12 guage or the equivalent size of coach bolts or toggle fasteners.

THE "AIR-GROUP SPECIAL INSULATED FLUE KIT" WHICH IS SAME AS "AHD SPECIAL INSULATED FLUE KIT" MUST BE MODIFIED AS PER DIAGRAM BELOW FOR F7000 HW INSTALLATIONS IN AUSTRALIA.

MODIFIED "SPECIAL INSULATED FLUE KIT"



FOR AUS INSTALLATION WITH FLOMET UNIVERSAL FLUE SYSTEM, PLEASE REFER TO THE SPECIFIC FLUE INSTALLATION INSTRUCTIONS FROM FLUE MANUFACTURER.